

Product information presented here reflects conditions at time of publication. Consult factory regarding discrepancies or inconsistencies.



**MAIL TO:** P.O. BOX 16347 • Louisville, KY 40256-0347  
**SHIP TO:** 3649 Cane Run Road • Louisville, KY 40211-1961  
**TEL:** (502) 778-2731 • 1 (800) 928-PUMP • **FAX:** (502) 774-3624

**Visit our web site:**  
**zoellerpumps.com**

## REPLACEMENT PARTS LIST FOR MODELS:

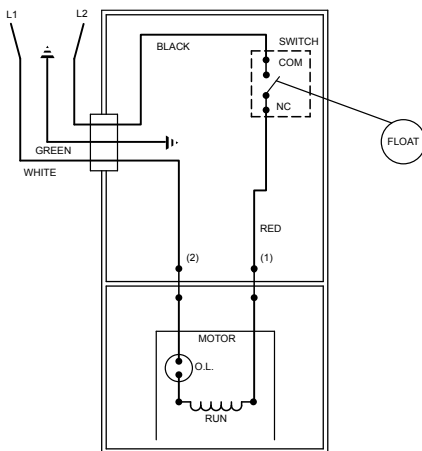
M55 AUTOMATIC 115V  
 N55 NONAUTOMATIC 115V

Consult factory for all other models

### TO ORDER REPLACEMENT PARTS:

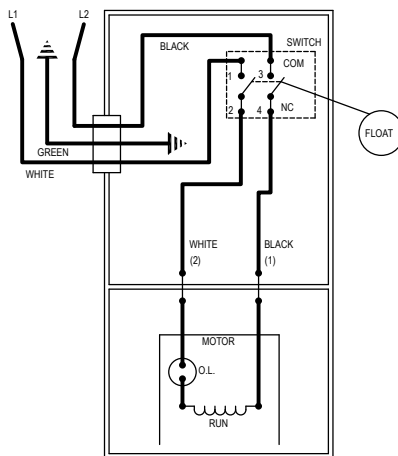
#### PLEASE FURNISH THE FOLLOWING INFORMATION:

- Model Number.
- Part Number of Pump.  
 (If manufactured prior to June 1988, give 2 letter date code following Model No.)
- Part Number and Description of part.



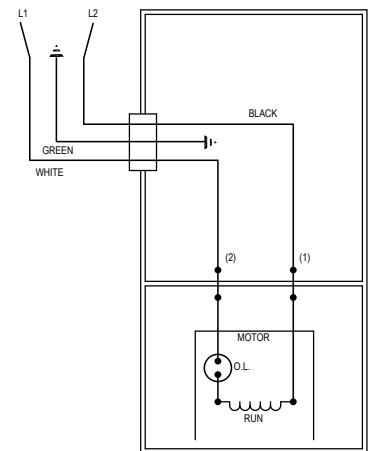
002385

WIRING DIAGRAM FOR MODEL  
 "M55-A"  
 9/82 (VN) thru 8/86 (US)



004619B

WIRING DIAGRAM FOR MODELS  
 "M55-B", "M55-C", and "M55-D"  
 9/86 (VS) thru Current



002392A

WIRING DIAGRAM FOR MODELS  
 "N55", "N55-A", "N55-B", "N55-C"  
 9/82 (VN) thru Current

# REPLACEMENT PARTS LIST FOR MODEL "M55"

See back page for "M55" illustration.

REF NO.	DESCRIPTION	QTY	NOTES	MODELS:			
				M55-A	M55-B	M55-C	M55-D
				9/82 VN thru 8/86 US	9/86 VS thru 8/87 UT	9/87 VT thru 6/92	7/92 thru Current
1	• Gasket,Case/Cover	1		034046	034046	034046	034046
2	• Clamp,Strain Relief-Red	1		004200	004200	004200	004200
3	• Seal,Cord-Asm	1		002326	004322	004322	004322
4	Cord Term & Seal 115V/A	1	5	002321	004700	004700	004700
5	Stator 115V/1PH	1		054040	054040	054040	007951
6	• Screw,#8-32 X 2.563 RHPI-Stlbo	2		001914	001914	001914	001914
7	Rotor Asm 115V/1Ph	1		054032	054032	054032	054032
8	• Seal,Mtr Hsg	1		034007	034007	034007	034007
9	• Washer,Trst-Nyl.875X.504X.050"	1		002140	002140	002140	002140
10	Bearing,Sleeve-Lower Rotor	1		054024	054024	054024	054024
11	• Oil,Dielectric-(15.5 Oz Can)	1		002588	002588	002588	002588
12	Housing,Pump-&Brg Mach Br	1		059005	059005	059005	059005
13	• Seal Asm,Shaft-Bliester Pak	1		267027	267027	267027	267027
14	Impeller Plastic "53"	1		003644	003644	003644	003644
15	Base Asm	1		002690	002690	002690	002690
16	Plate,Strainer-Plastic	1		001082	001082	N/A	N/A
17	Case Handle & Arm Br "50"	1		054092	004714	004714	004714
18	Case & Switch Br "50"	1	4	003723	004711	004711	004711
19	• Plug,Test-White	2		034090	034090	034090	034090
20	• Arm & Seal Asm "50"	1		054080	004704	004704	004704
21	Guard "50/1050"	1		034016	004645	004645	004645
22	Switch Asm "50"	1		N/A	004705	004705	004705
23	• Seal,Thru Wall Term	2		003402	003402	003402	003402
□	Wire Asm-F-P(1)Wire Rs2.25"Lg	1		002231	N/A	N/A	N/A
24	Housing,Mtr-Brg&Term Br "50"	1		003179	004713	004713	004713
25	Bearing,Upper Rotor	1		034052	034052	034052	034052
26	Float-Polypropylene	1		034019	034019	034019	034019
27	Rod Asm,Fit	1		054062	054062	054062	054062
28	Guide Asm,Flt Rod	1		034086	034086	034086	034086
29	• Screw,#10-24 X.75 RHM-SI SS	16		001885	001885	001885	001885
30	• Screw,#6-32x.438Rhs1tp"1"Stlzi	2		001877	004644	004644	004644
31	• Screw,#6-32x.25RHM SI Tc Stlgr	1		001877	001877	001877	001877
32	• Sem,10-12x.5HH-SIShmt Scr Tp A	3		003229	003229	N/A	N/A
□	Rebuild Kit "53/55"	1		003181	004706	004706	004706

## DATE CODE OF MANUFACTURE FROM 12/70 to 12/88

### 1st LETTER MONTH

M -- JAN. T -- JULY  
 N -- FEB. U -- AUG.  
 O -- MARCH V -- SEPT.  
 P -- APRIL W -- OCT.  
 R -- MAY X -- NOV.  
 S -- JUNE Y -- DEC.

### 2nd LETTER YEAR

A -- 1971 G -- 1977 O -- 1983  
 B -- 1972 H -- 1978 P -- 1984  
 C -- 1973 I -- 1979 R -- 1985  
 D -- 1974 J -- 1980 S -- 1986  
 E -- 1975 M -- 1981 T -- 1987  
 F -- 1976 N -- 1982 U -- 1988

**NOTE:** Four digit (MMYY) date of mfg. used after June, 1988.  
 IE: MMYY = 0192 = Jan. 1992.

Special Length Cords	
Length	M55-B thru D
15' cord	005566
20' cord	014530
25' cord	004991
35' cord	Consult factory
50' cord	005556

- Items included in Rebuild Kit.
- Not Shown in Illustration.

### NOTES:

- 1) See FM0160 Parts Price Sheet for listing of parts prices.
- 2) "NA" indicates, not applicable.
- 3) If an "X" follows model No., or date Mfg. on brass ID tag, consult factory for ordering any parts.
- 4) For pumps with date code prior to 9/86 the replacement case and switch will have a new style switch.
- 5) See chart for special length cords available.

# REPLACEMENT PARTS LIST FOR MODEL "N55"

See back page for "N55" illustration.

REF NO.	DESCRIPTION	QTY	NOTES	MODELS:			
				N55	N55-A	N55-B	N55-C
1	• Gasket,Case/Cover	1		9/82 VN thru 8/86 US	9/81 VM thru 8/86 US	9/86 VS thru 8/87 UT	9/87 VT thru 6/92
3	• Seal,Cord-Asm	1		002326	002326	004322	004322
2	• Clamp,Strain Relief-Red	1		001770	001770	001770	001770
4	Cord Term & Seal 115V/Na	1	4	002319	004708	004708	004708
5	Stator 115V/PH	1		054040	054040	054040	007951
6	• Screw,#8-32 X 2.563 RHPI-Stlbo	2		001914	001914	001914	001914
7	Rotor Asm 115V/1Ph	1		054032	054032	054032	054032
8	• Seal,Mtr Hsg	1			034007	034007	034007
9	• Washer,Trst-Nyl.875X.504X.050"	1		002140	002140	002140	002140
10	Bearing, Sleeve-Lower Rotor	1		054024	054024	054024	054024
11	• Oil,Dielectric-(15.5 Oz Can)	1		002588	002588	002588	002588
12	Housing,Pump-&Brg Mach Br	1		059005	059005	059005	059005
13	• Seal Asm,Shaft-Blister Pak	1		267027	267027	267027	267027
14	Impeller Plastic "53"	1		003644	003644	003644	003644
15	Base Asm	1		002690	002690	002690	002690
16	Plate,Strainer-Plastic	1		001082	001082	N/A	N/A
17	Cover & Handle Br.	1		036067	036067	036067	036067
18	• Plug,Test-White	2		034090	034090	034090	034090
19	• Seal,Thru Wall Term	2		003402	003402	003402	003402
20	Housing,Mtr-Brg& Term Br "50"	1		003179	004713	004713	004713
21	Bearing, Upper Rotor	1		034052	034052	034052	034052
22	• Screw,#10-24 X.75 RHM-SI SS	16		001885	001885	001885	001885
23	• Screw,#6-32x.25RHM SI Tc Stlgr	1		001877	001877	001877	001877
24	• Sem,10-12x.5HH-SIShmt Scr Tp A	3		003229	003229	N/A	N/A
□	Rebuild Kit "53/1053/55"	1		003181	004706	004706	004706

- Items included in Rebuild Kit.
- Not Shown in Illustration.

**NOTES:**

- 1) See FM0160 Parts Price Sheet for listing of parts prices.
- 2) "NA" indicates, not applicable.
- 3) If an "X" follows model No., or date Mfg. on brass ID tag, consult factory for ordering any parts.
- 4) See chart for special length cords available.

Special Length Cords	
Length	N55-A thru C
20' cord	011693
25' cord	013046
35' cord	019471
50' cord	N/A

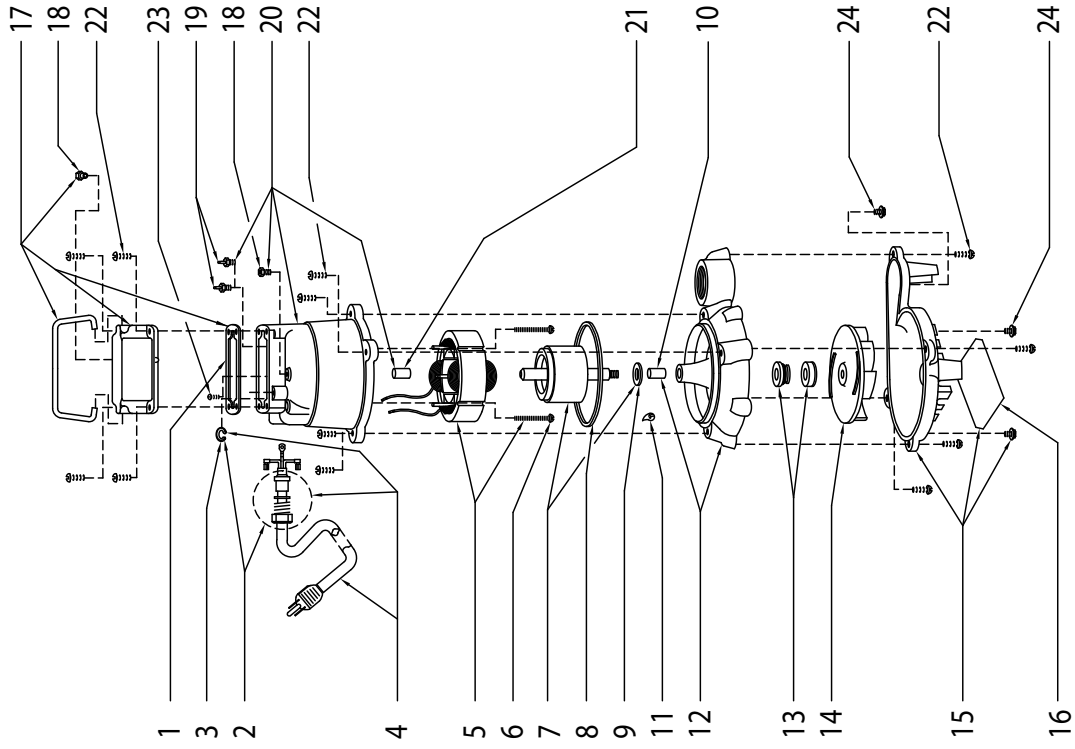


**MAIL TO:** P.O. BOX 16347 • Louisville, KY 40256-0347  
**SHIP TO:** 3649 Cane Run Road • Louisville, KY 40211-1961  
 (502) 778-2731 • 1 (800) 928-PUMP • **FAX** (502) 774-3624

Trusted. Tested. Tough.®

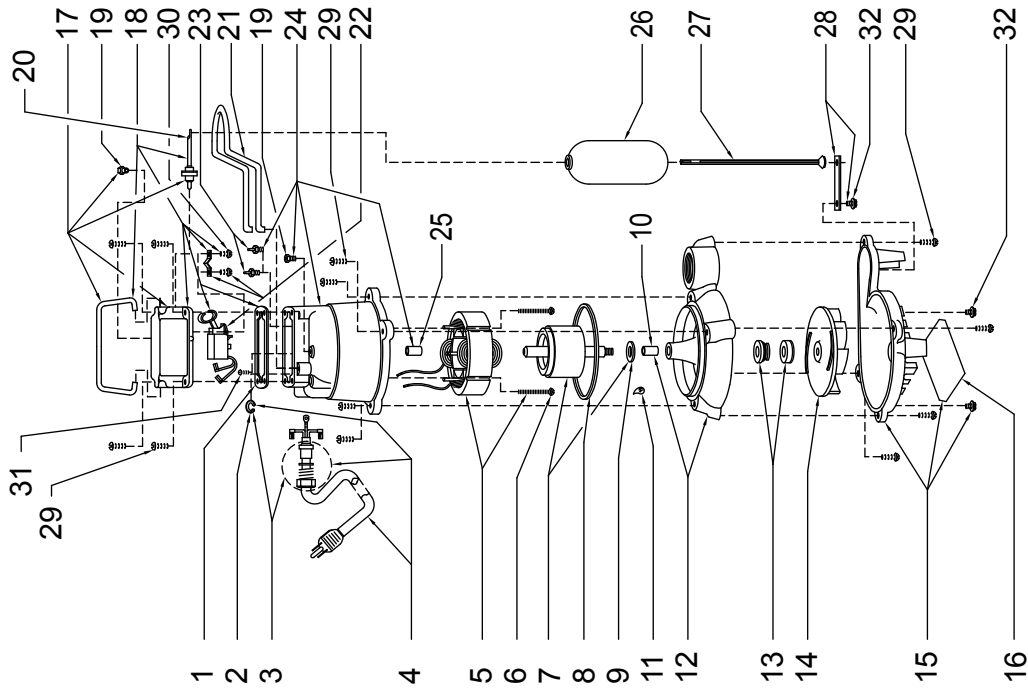
**Visit our web site:**  
[zoellerpumps.com](http://zoellerpumps.com)

REPLACEMENT PARTS ILLUSTRATION FOR MODELS "N55"



SKA909

REPLACEMENT PARTS ILLUSTRATION FOR MODELS "M55"



SKA273